

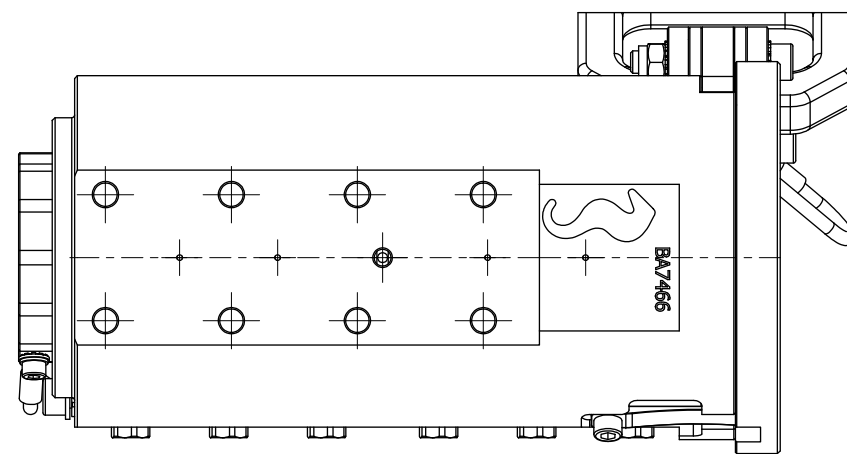
NOTE: 1  
 DESIGN CODE:  
 NS-EN 13445:2009 / ISO13628-8

NOTE: 2  
 TECHNICAL CLASSIFICATION:  
 Article Type: 003-Valve Stabs  
 Main Group: 3.07. Ø55/Ø57-Valvestab  
 Intermediate Group: 3.42.02. Receptacle  
 Sub Group: 3.42.103.6. Hexa

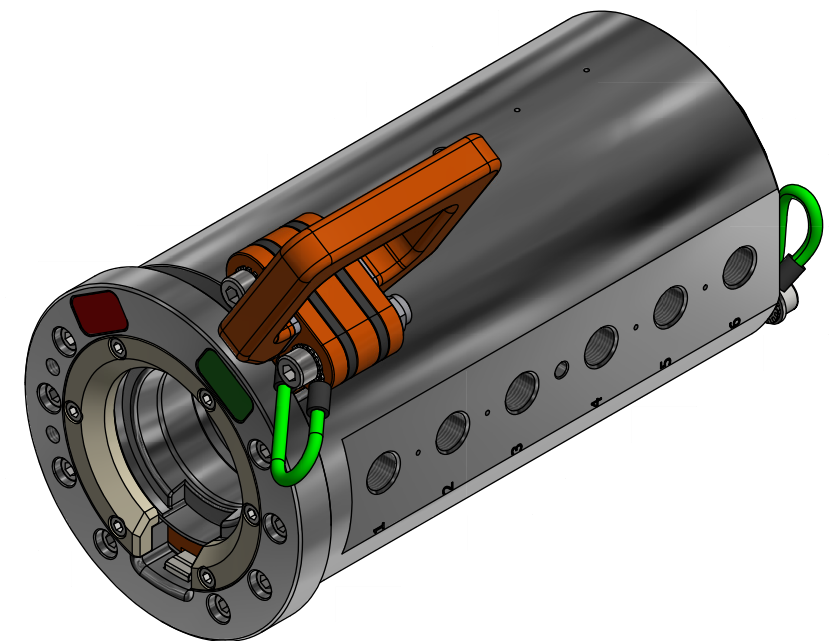
NOTE: 3  
 INTERFACE INFORMATION:  
 Pressure Rating Bar: 690  
 Material: Long-term  
 Weight: 20,5 kg  
 Volume: 2,68 dm<sup>3</sup>  
 Surface Area: 5573 cm<sup>2</sup>  
 Hydraulic: 3/8" BSP  
 Mechanical: 8xM10 (45x45x45)  
 Electrical: N/A  
 Com. & Protocol: N/A

NOTE: 4  
 ADDITIONAL INFORMATION:  
 Valve Stab Receptacle with 6 individual hydraulic lines for Long-term submersion, when connected to external CP system.  
 When stab is inserted and valves opened (red position) a weak link system ensures that the stab can be pulled out in an emergency situation, emergency release force approx. 3kN.  
 ROV Handle in green position: All valves closed, stab free to mate or remove.  
 ROV Handle in red position: All valves open, stab locked into receptacle.  
 For more information - request usermanual 600142-TD-0001.

NOTE: 5  
 SPAREPARTS:  
<http://e-sea.bluelogic.no/main.aspx?page=article&artno=BB1053>



VIEW A-A  
 (MOUNTING INTERFACE)



24	14.5.2025	9-IFU (Issued for Use)		WTJ	HNJ	WTJ
23	29.5.2024	9-IFU (Issued for Use)		WTJ	HNJ	WTJ
22	30.11.2023	9-IFU (Issued for Use)		WTJ	LGH	WTJ
21	9.10.2023	9-IFU (Issued for Use)		WTJ	LGH	WTJ
Rev.	Date	Reason for issue	Revision change	Made	Chk'd	Appr.



Dwg Scale:	NTS
Dwg Proj:	
Dwg Format:	A3

Drawing title:	Ø55/Ø57 HP VStab Rec 10k Long-term BSP 3/8" Double Seal	
Drawing number:	BA7466	Rev. 24

This Drawing is the Property of Blue Logic AS © and must Not be Loaned, Reproduced or Transferred to others without written Permission